

Iceage Industries

2015

IKUSI PRICE LIST



CONTENT	PAGES
STANDARD PUSH BUTTON SYSTEMS	3-4
LCD LOAD DISPLAY PUSH BUTTON SYSTEMS	5-6
PUSH BUTTON SPARE PARTS	7
TANDEM TWIN SYNCHRO MASTER/SLAVE	8
TANDEM MASTER/SLAVE	9
iK2 MINI JOYSTICK SYSTEM	10
iK3 CUSTOMISABLE JOYSTICK SYSTEM	11-12
TM70/1.06 – 4 BUTTON SYSTEM	13
TM70 IECE_x / ATEX - ZONE 1 & 2	14

6 BUTTON INDUSTRIAL SYSTEM

4331130	TM70/1.13 Industrial 6 Button System	\$2,110
Includes:	6 Push Button Remote and 13 Relay Receiver, Hand Strap, 2 Batteries and Battery Charger	
Configuration:	Up, Down, North, South, East & West (all 2 Speed), Start/Horn, Key Lock, Stop Button	



Receiver



6 Button Remote



Charger & 2 Batteries

Code	Description	List Price
ADDITIONAL OPTIONS		
2301090	T70/1 6 Push Button Remote (Battery Not Included)	\$1,085
2303692	BT06K Battery Suitable for Push Button T70 Only	\$174
2305002	Battery charger CB70 Without power supply - TM60/TM70	\$245
1106036	Power supply Power supply for CB70, 230Vac, AUS	\$72
2303743	EP70 EP70 EPROM Memory Card	\$105
2305007	Wiring & Conn 16 Pole Plug & Cable	\$300
2305008	Wiring & Conn 24 Pole Plug & Cable	\$300
1166074	Sh Abs Shock Absorbers For Receiver	\$38
2305009	Sh Abs& Fix Mag Shock Abs with Fixation Magnets For Receiver	\$61
2305127	Stop Button EMS70 Stop Button	\$72

10 BUTTON INDUSTRIAL SYSTEM

4332130	TM70/2.13 Industrial 10 Button System	\$2,510
Includes:	10 Push Button Remote and 13 Relay Receiver, Hand Strap, 2 Batteries and Battery Charger	
Configuration:	Up, Down, North, South, East & West (all 2 Speed), 4 x AUX Buttons, Start/Horn, Key Lock, Stop Button	



Receiver



10 Push Button Remote



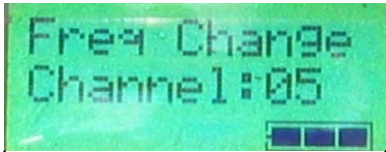
Charger & 2 Batteries

Code	Description	List Price
ADDITIONAL OPTIONS		
2301091	T70/2 10 Push Button Remote (Battery Not Included)	\$1,190
2303692	BT06K Battery Suitable for Push Button T70 Only	\$174
2305002	Battery charger CB70 Without power supply - TM60/TM70	\$245
1106036	Power supply Power supply for CB70, 230Vac, AUS	\$72
2303743	EP70 EP70 EPROM Memory Card	\$105
2305007	Wiring & Conn 16 Pole Plug & Cable	\$300
2305008	Wiring & Conn 24 Pole Plug & Cable	\$300
1166074	Sh Abs Shock Absorbers For Receiver	\$38
2305009	Sh Abs& Fix Mag Shock Abs with Fixation Magnets For Receiver	\$61
2305127	Stop Button EMS70 Stop Button	\$72
2303760	Hoist/Crane Maintained Hoist Selector Switch 1-0-1 S70	\$147

6 BUTTON LCD INDUSTRIAL SYSTEM

ABUS OR (0-10V) OR (4-20mA) LOAD FEEDBACK

3302260-E71L	TM70/1.13 LCD Display System	\$3,162
Includes:	6 Push Button Remote and 13 Relay Receiver, Hand Strap, 2 Batteries and Battery Charger.	
Configuration:	Up, Down, North, South, East & West (all 2 Speed), Start/Horn, Key Lock, Stop Button	



Receiver

6 Button LCD Transmitter

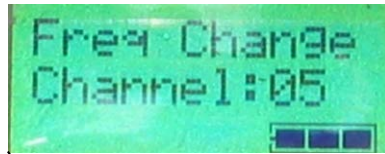
Charger & 2 Batteries

Code	Description		List Price
ADDITIONAL OPTIONS			
2301090-B2-DLA	T70/1 LCD	T70/1 Transmitter LCD (Battery not included)	\$1,650
2305009	Mag/Shock Abs	Receiver Shock Absorbers with Fixation Magnets	\$61
1166074	Shock Abs	Shock Absorbers For Receiver	\$38

10 BUTTON LCD INDUSTRIAL SYSTEM

ABUS OR (0-10V) OR (4-20mA) LOAD FEEDBACK

3302280-E72L	TM70/2.13 LCD Display System	\$3,660
Includes:	10 Push Button Remote and 13 Relay Receiver, Hand Strap, 2 Batteries and Battery Charger.	
Configuration:	Up, Down, North, South, East & West (all 2 Speed), 4 x AUX Buttons, Start/Horn, Key Lock, Stop Button	



Receiver



10 Button LCD Transmitter



Battery Charger & 2 Batteries

Code	Description		List Price
ADDITIONAL OPTIONS			
2301091-B2-DLA	T70/2 LCD	T70/2 Transmitter LCD (Battery Not Included)	\$1,884
2303760	Hoist / Crane	Maintained Hoist Selector Switch 1-0-1 S70	\$147
2305009	Mag/Shock Abs	Receiver Shock Absorbers with Fixation Magnets	\$61
1166074	Shock Abs	Shock Absorbers For Receiver	\$38

Code	Description	List Price
TM70 PUSH BUTTON SPARE PARTS		
2303692	Battery BT06K – Suitable for Push Button T70 Only	\$174
2305002	Battery charger CB70 (without power supply) – TM60/TM70	\$245
1106036	Power supply for CB70, 230Vac, AUS	\$72
2303743	EP70 EPROM Memory Card	\$105
1166074	Receiver Shock Absorbers	\$38
2305009	Receiver Shock Absorbers with Fixation Magnets	\$61
2305127	STOP push button EMS70	\$72
2303670	Push button P70	\$43
1152023	Push button cover CP70	\$14
2303770	Spring return switch 1-0-1 M70	\$147
2303760	Hoist/Crane Maintained Selector Switch 1-0-1 S70	\$147
2807003	Set of icons for Australia 6 each of U, D, N, S, E, W, Start/Horn	\$92
2300170	Key lock K60	\$64
2303780	Upper part PS70/1 SM – Case Only	\$52
2303790	Upper part PS70/2 SM – Case Only	\$64
2303731	Upper part PS70/1 – Case, Buttons	\$448
2303801	Upper part PS70/1 DLA – Case, Buttons, LCD display	\$505
2303732	Upper part PS70/2 – Case, Buttons	\$656
2303811	Upper part PS70/2 DLA – Case, Buttons, LCD display	\$713
2303677	Lower part PI70/1	\$147
2303678	Lower part PI70/2	\$165
1151051	Upper transmitter bumper	\$20
1151052	Lower transmitter bumper	\$20
2303727	Internal Tx Antenna – Suits Transmitters T70/1 or T70/2 433Mhz	\$64
2303729	Internal Rx Antenna – Suits R70 Receiver 433Mhz	\$65
1095122	MCX/BNC Internal cable for external antenna	\$90
1119015	External Whip Antenna A60 – 433Mhz	\$46
1119020	Antenna extension lead - 3 Meter	\$92
1175035	Hand strap	\$29
1175022	Shoulder strap B70 - Suitable for Push Button	\$52
1175030	Shoulder Strap Comfort B70C - Suitable for TM70, iKONTROL and Push Button Systems	\$185
2305010	TM70/1 – Transmitter Protection Bag Suitable for Push Button	\$124
2305011	TM70/2 – Transmitter Protection Bag Suitable for Push Button	\$124
TM70 PUSH BUTTON TRANSMITTER BOARDS		
2800059	LE71 MCX T70/1 Transmitter Board (Dual Band)	\$745
2800062	LE71 EMB T70/1 Transmitter Board (Embedded Ant)	\$745
2800060	LE71 DLA EMB T70/1 Transmitter Board LCD (Embedded Ant)	\$835
2303883	LE72 MCX T70/2 Transmitter Board (Dual Band)	\$803
2303903	LE72 DLA MCX T70/2 Transmitter Board LCD (Dual Band)	\$892
TM70 PUSH BUTTON RECEIVER BOARDS		
2800055	LR71 AC MCX Receiver Board AC MCX - 433Mhz	\$1,370
2800056	LR72 AC MCX Receiver Board AC MCX - 433Mhz	\$1,445
2800058	LR72 DC MCX Receiver Board DC MCX - 433Mhz	\$1,445
R70 COMPLETE RECEIVER BOX		
2301092	R70/13 13 Relay Receiver	\$1,540
2301093	R70/21 21 Relay Receiver	\$2,450

TWIN SYNCHRO MASTER & SLAVE SINGLE HOIST WITH 3 x AUX BUTTONS

2 x 3302280- TSYN	2 x TM70/2.13 Systems	\$8,160
Includes:	2 x 10 Push Button Remotes with 2 x 13 Relay Twin Synchro Receivers with 8 Digital Inputs, Hand Straps, Batteries and Battery Chargers.	
Configuration:	Each Transmitter: Up, Down, North, South, East & West (all 2 speed), 3 x AUX Buttons, Master Remote has Crane Selector Switch (M,M+S,S) Slave Remote has Selector Switch for Release, 8 Digital Inputs, Start/Horn, Key Lock, Stop Button	
Modification:	2 x EEPROM File Modification (2300300) included	

MASTER TX



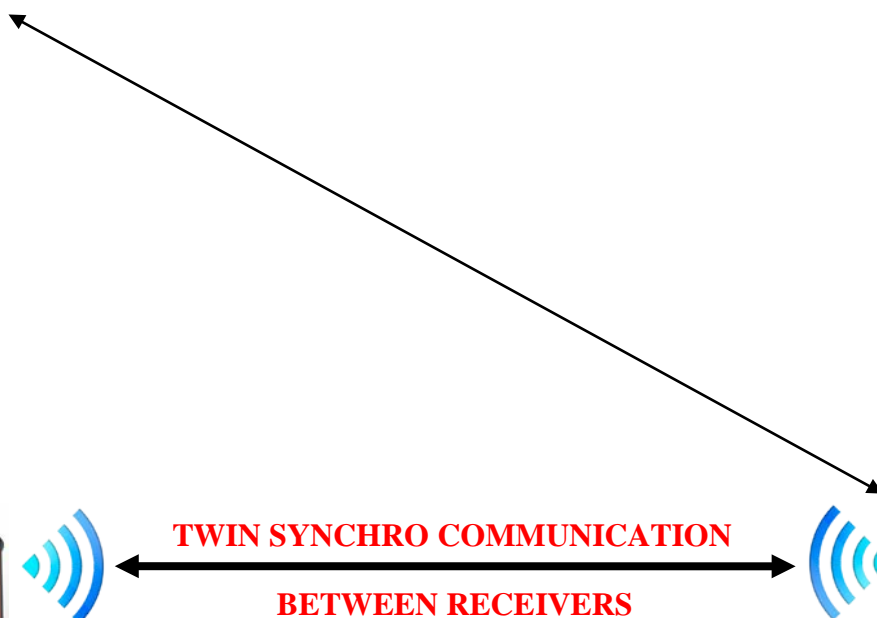
SLAVE TX



MASTER RX



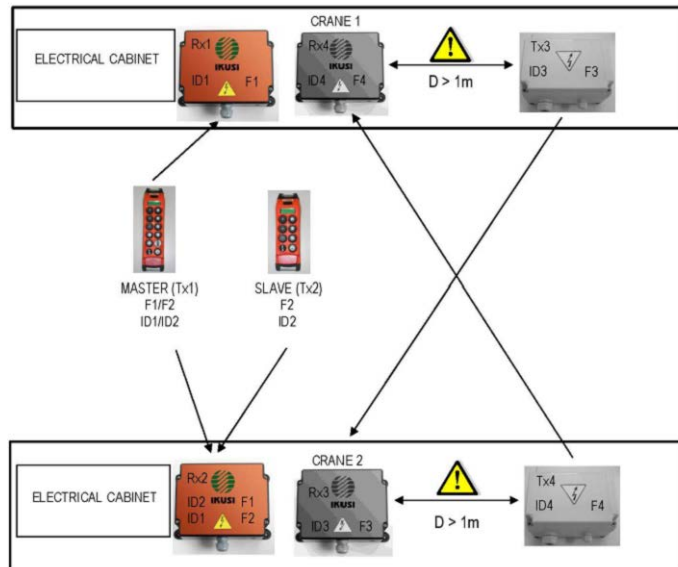
SLAVE RX



**NOTE: PRICE WILL VARY DEPENDING ON THE NUMBER OF DIGITAL INPUTS AND DIGITAL/ANALOGUE OUTPUTS REQUIRED. PLEASE CALL FOR A QUOTE.*

TANDEM MASTER & SLAVE SINGLE HOIST

2 x 4332130	2 X TM70/2.13 Systems	\$5,908
Includes:	2 x 10 Push Button Remotes with Crane Selector Switch, 2 x 13 Relay Receivers, Hand Straps, 4 Batteries and 2 Battery Chargers.	
Configuration:	Up, Down, North, South, East & West (all 2 speed), Master Remote has Crane Selector Switch (M, M+S,S) Slave Remote has Selector Switch for Release, Start/Horn, Key Lock, Stop Button	
Modification:	2 x EEPROM File Modification (2300300) included	



**Illustration showing configuration of MASTER/SLAVE system with fixed to fixed systems for communication between cranes.*

Code	Description	List Price
ADDITIONAL OPTIONS		
3302700	Fixed-to-Fixed Fixed-to-Fixed System, 16 Digital Inputs (one way communication)	\$3,650
2301091	T70/2 10 Push Button Remote (Battery Not Included)	\$1,190
2303692	BT06K Battery suitable for Push Button TM70 Only	\$174
2305002	Battery charger CB70 Without power supply - TM60/TM70	\$245
1106036	Power supply Power supply for CB70, 230Vac, AUS	\$72
2305007	Wiring & Conn 16 Pole Plug & Cable	\$300
2305008	Wiring & Conn 24 Pole Plug & Cable	\$300
1166074	Sh Abs Shock Absorbers For Receiver	\$38
2305009	Sh Abs & Fix Mag Shock Abs with Fixation Magnets For Receiver	\$61
2305127	EStop Button EMS70 Suitable for Push Button	\$72
2303760	Hoist/Crane Maintained Switch 1-0-1 S70	\$147
2300300	EPROM FM Eprom File Modification	\$297

iK2 MINI JOYSTICK SYSTEM HOIST SELECTOR + 2 x AUX BUTTONS

3302485	TM iK2.13 iKONTROL	\$4,585
Includes: Configuration:	2 Joystick Transmitter and 13 Relay Receiver, Shoulder Strap, 2 Batteries and Battery Charger. 1 Joystick - Up & Down, 1 Joystick - North, South, East & West (all 2 Speed), Hoist selector, 2 x AUX Push buttons, Start/Horn, Key Lock, Stop Button.	



Receiver



Mini Transmitter



Battery Charger & 2 Batteries

Code	Description	List Price
ADDITIONAL OPTIONS		
2305339	iK2 Transmitter T70/2-iKONTROL SPARE Transmitter (Battery not included)	\$2,950
2305369	BT11K BT11K Li-Ion Battery for iK2 Only	\$200
2305337	iK2 Charger Kit Battery Charger, PSU & two BT11K Batteries	\$530
2303743	EP70 EP70 EPROM Memory Card	\$105
1175064-C0	Waist Belt iK Waist Belt Comfort for iKONTROL Console Box	\$190
2305354	iK2 Belt Kit Belt Kit Clip to suit iK2 (belt not included)	\$110
2305007	Wiring & Conn 16 Pole Plug & Cable	\$300
2305008	Wiring & Conn 24 Pole Plug & Cable	\$300
2305009	Mag/Shock Abs Receiver Shock Absorbers with Fixation Magnets	\$61
1166074	Shock Abs Shock Absorbers For Receiver	\$38
2305363	LE70IK2 EMB iK2 Transmitter PCB Board	\$865

iK3 CUSTOMISABLE JOYSTICK SYSTEM

3303000	TM iK3 iKONTROL	QUOTE
Includes:	Joystick Transmitter and Receiver, Waist Belt, 2 Batteries and Battery Charger.	
Configuration:	CUSTOMISED AND CONFIGURED TO YOUR SPECIFICATION	



Receiver



2 Joystick Transmitter



Battery Charger & 2 Batteries

Code	Description	List Price
ADDITIONAL OPTIONS		
2301220	iK3 Transmitter T70/3-iKONTROL SPARE Transmitter (Battery not included) (Standard Configuration)	\$3,392
2305271	BT24iK BT24iK Battery	\$274
2305002	Battery charger CB70 Without power supply - TM60/TM70	\$245
1106036	Power supply Power supply for CB70, 230Vac, AUS	\$72
1175064-C0	Waist Belt iK Waist Belt Comfort for iKONTROL Console Box	\$190
1175030	Shld Strap Comfort Shoulder Strap Comfort B70C - Suitable for TM70, iKONTROL and Push Button Systems	\$185
2305279	iK3 Shld Strap Kit iK3 Shoulder Strap Kit Clips (strap not included)	\$52
2303743	EP70 EP70 EPROM Memory Card	\$105
2305007	Wiring & Conn 16 Pole Plug & Cable	\$300
2305008	Wiring & Conn 24 Pole Plug & Cable	\$300
2305009	Mag/Shock Abs Receiver Shock Absorbers with Fixation Magnets	\$61
1166074	Shock Abs Shock Absorbers For Receiver	\$38

Code	Description	List Price
iKONTROL SPARE PARTS		
2305279	iK3 Shoulder Strap Kit (Clips for shoulder strap)	\$52
2300146	STOP push button to suit Console Box	\$66
1102050	Push button switch 0-1	\$29
1107006	Boot for push button switch 0-1	\$20
1102131	Black Push Button – iKONTROL iK2 & iK3	\$52
1102048	Spring return toggle switch 1-0-1	\$52
1102045	Spring return toggle switch 0-1	\$52
1102047	Maintained toggle switch 1-0-1	\$52
1102049	Maintained toggle switch 0-1	\$52
1107007	Boot for toggle switches	\$20
1095080	Joystick Connection Cable 12 pin	\$43
2305356	MO70 2014 joystick	\$956
2303669	Joystick Boot Cover to suit MO70 (Nut Included)	\$89
1151260	Joystick Knob	\$43
2399125	Rotary switch, up to 6 steps “lineal”	\$526
2399140	Rotary switch, up to 12 steps “lineal”	\$526
1102033	Key lock 311 (metallic key)	\$289
2300350	Key lock K60P to suit Console Box	\$78
1102051	Key lock 311 with 3 position (1 position extraction)	\$289
1102052	Key lock 311 with 3 position (2 position extraction)	\$289
2305258	TFT Display Module for iKONTROL Console Box	\$810
1119032	Internal Antenna for Console Box Transmitter - 433Mhz	\$65
2303729	R70 internal antenna - 433MHz	\$65
1095122	MCX/BNC Internal cable for external antenna	\$90
1119015	Receiver External Whip Antenna TM70 - 433Mhz	\$46
1119020	Antenna extension lead - 3 Meter	\$92
iK3 TRANSMITTER PCB BOARD		
2800064	LE73iK TFT MCX LE73iK TFT MCX Transmitter Board	\$865
RECEIVER BOARDS		
2800055	LR71 AC MCX Receiver Board AC MCX - 433Mhz	\$1,370
2800056	LR72 AC MCX Receiver Board AC MCX - 433Mhz	\$1,445
2800058	LR72 DC MCX Receiver Board DC MCX - 433Mhz	\$1,445
R70 COMPLETE RECEIVER BOX		
2301092	R70/13 13 Relay Receiver	\$1,540
2301093	R70/21 21 Relay Receiver	\$2,450

TM70 OPTIONAL TOOLS		
3302603	Programming KIT Eeprom Programming KIT (USB)	\$939

MONORAIL OR CHAIN HOIST 4 BUTTON SINGLE OR TWIN SPEED

Code	Description	List Price
3302505	TM70/1.06 4 Push Button, 6 Relays – 48VAC to 230VAC	\$1,825



ADDITIONAL OPTIONS

2301090	T70/1 6 Push Button SPARE Transmitter (Battery Not Included)	\$1,085
3302620	I-Syon Shock Absorbers with Magnets - 4 units	\$61
2303692	Battery BT06K - Suitable for Push Button T70/1 & 2 Only	\$174
2305002	Battery charger CB70 (without power supply) - TM60/TM70	\$245
1106036	Power supply for CB70, 230Vac, AUS	\$72
2303743	EP70 EPROM Memory Card	\$105
1095122	MCX/BNC Internal cable for external antenna	\$90
1071030	Connector for Internal to External Antenna	\$11
1119015	Receiver External Antenna A60 - 433Mhz	\$46
1119020	Antenna extension lead 3 Mtr	\$92
2303670	Push button P70	\$43
1152023	Push button cover CP70	\$14
2303760	Maintained switch 1-0-1 S70	\$147
2300170	Key lock K60	\$64
2305127	STOP push button EMS70	\$72
2807003	Set of icons for Australia 6 each of U,D,N,S,E,W, Start /Horn	\$92
1175035	Hand strap	\$29
1175022	Shoulder strap B70	\$52
1175030	Shoulder Strap Comfort B70C - Suitable for TM70, iKONTROL and Push Button Systems	\$185
2305010	TM70/1 - Transmitter Protection Bag	\$124

IECEX SYSTEMS – ZONE 1 & ZONE 2

3302260-A	TM70/1.13	6 Push Button IECEx Remote with 13 Relay Standard Receiver	\$4,300
3302281	TM70/2.13	10 Push Button IECEx Remote with 13 Relay Standard Receiver	\$4,905



ADDITIONAL OPTIONS

2305304	T70/1	6 Push Button IECEx Spare Transmitter 433Mhz	\$3,400
2305305	T70/2	10 Push Button IECEx Spare Transmitter 433Mhz	\$3,800
1166074		Receiver Shock Absorbers for Standard Receiver Only	\$38
2305160		Battery BT06K IECEx - Suitable for TM70 IECEx Only	\$578
2305002		Battery charger CB70 - Suitable for BT06K IECEx Battery	\$222
1106036		Power supply for CB70, 230Vac, AUS	\$72
2303670		Push button P70	\$43
1152023		Push button cover CP70	\$14
2303760		Maintained switch 1-0-1 S70	\$147
2300170		Key lock K60	\$64
2305127		STOP push button EMS70	\$72
2305168		Upper part PS70/1 – 6 button IECEx Case & Buttons	\$845
2305169		Upper part PS70/2 – 10 button IECEx Case & Buttons	\$1,225
2305166		Lower part PI70/1 – 6 button IECEx Case	\$275
2305167		Lower part PI70/2 – 10 button IECEx Case	\$310
2807003		Set of icons for Australia 6 each of U,D,N,S,E,W, Start/Horn	\$92
2303743		EP70 EPROM Memory Card	\$105

TM70 IECEx PUSH BUTTON ELECTRONIC BOARDS

2800069	LE71 MCX	LE71 MCX IECEx PCB Board	\$2,095
2800072	LE72 MCX	LE72 IECEx PCB Board	\$2,175

TM70 STANDARD RECEIVERS

2301092	R70/13	13 Relay Receiver Board	\$1,540
2301093	R70/21	21 Relay Receiver Board	\$2,450

SALES GENERAL TERMS & CONDITIONS

1. PRICE TERMS & CONDITIONS:

All prices provided in this price list are non-inclusive of GST and for ex-warehouse goods. Prices are applicable and valid according to the price list on the day of the order receipt. Prices are subject to change without prior notice

2. PAYMENT TERMS & CONDITIONS:

Standard payment conditions apply unless alternative arrangements are made between the purchaser and IKUSI. If payment is late or not received, IKUSI is entitled to take legal action in order to recover the goods and claim interest and expenses incurred. Ownership of the goods is not passed onto the purchaser until full payment is received. The invoicing and the payment terms of the products would be in each case the settle down one in mutual agreement between the client and IKUSI.

3. TAXES & FREIGHT:

Other additional taxes or freight that may be incurred in transporting the goods to their final destination will be incurred by the purchaser and not IKUSI.

4. PRODUCT GUARANTEE:

The guarantee of products is 12 months from the date of invoice of the products and would be valid by the presentation of the purchase invoice.

IKUSI guarantees the quality of the products against any manufacturing defect, visible or hidden. The guarantee includes exclusively the substitution or repair of products and does not cover the failures caused by a bad use, bad installation or manipulation, nor the assumptions of act of God or a greater force.

The guarantee of the products does not cover any damage or damages that could have been caused to the client or to a third party as direct or indirect consequence of the operation of the products or the use that the client grants to them.

5. WARRANTY:

IKUSI warrants the quality of their products against any visible or hidden fabrication defects for a term of 12 months from the date of purchase, IKUSI must be made aware of any defect in writing or within one week of receipt of goods. The warranty only covers IKUSI supplied products. The warranty does not cover any incurred damage to connected equipment, related systems or any consequential damages.

6. GOODS RETURN:

Goods may be returned to IKUSI for credit within a period of sixty days from invoice date. Any goods returned for credit must be in "As New" condition, and in the same original packaging that they were supplied in. Customers are required to get a Return Authorisation Number from the company prior to returning any product back to the company for credit. A restocking fee of 5% of the total cost of the goods returned, prior to GST[^], is chargeable on all returns

7. GOVERNING LAWS

The conditions of sale are governed by and construed according to the laws of Victoria. Any disputes must be settled in Victoria. The acceptance by the buyer of our invoice or delivery note for the received goods implies acceptance of all the general conditions of sale

Iceage Industries
Unit 3/15 Beale way
Rockingham
WA 6968
Phone: (08) 9500 9518
Fax: (08) 9527 1633
Email: service@iceageind.com.au